

Cost effective paperless Weather FAX & NAVTEX FACSIMILE RECEIVER Model FAX-30

- Connection to a 10.4" NavNet display or PC through an Ethernet
- User friendly softkey menu operation on NavNet display
- Web navigation using Internet Explorer or Netscape
- Print images and messages from generic PC and printer
- Storage of maximum 12 images on NavNet display (depending on file size)
- Thumbnail view for easy selection of stored images
- Noise Rejection for clear image



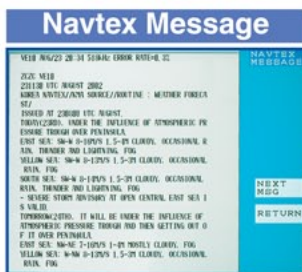
Receiver Unit



10.4" NavNet display



Laptop screen



The FURUNO FAX-30 can turn any NavNet display or PC into a weather fax and NAVTEX receiver for obtaining weather forecasts and safety information. This "BlackBox" unit connects directly to a NavNet display or an Ethernet hub with a single Ethernet cable. If a multiple of 10.4" NavNet displays are connected on the Ethernet bus, each of those displays will have access to the FAX-30. In addition, the FAX-30 has the capability of being connected to a standard PC with Ethernet card.

The standard package includes the receiver and installation materials. The optional antenna and display unit (either a 10.4" NavNet or windows based PC) are required for basic operation. When the FAX-30 is connected to a PC, the images and information are displayed by simply using your Internet browser. There is no complicated proprietary software to learn. You can even

print all of the information using your PC and printer.

The FAX-30 receives the weather map broadcast from a fax transmitting station working under WMO standards. Up to twelve received pictures can be stored on internal memory. Drum speeds, I.O.C. and other essential parameters are manually or automatically selected for quality receptions. The auto channel mode searches the best station by judging the quality of the signal reception. Phase and synchronization can be adjusted even after the reception is completed. The pictures stored can be freely rotated or zoomed in/out on the screen. The display colors are selectable from 8 tones of gray scale, monochrome, blue shade, pink and black, or red and blue for better viewing depending on the lighting conditions. By selecting the built-in NAVTEX receiver, you can view up to 130 stored NAVTEX messages.

SPECIFICATIONS OF FAX-30

GENERAL

Frequency Range	80 kHz to 160 kHz, 2 MHz to 25 MHz, 490 kHz, 518 kHz (NAVTEX)
Class of Emission	F3C, J3C, F1B (NAVTEX)
Receiving System	Double superheterodyne
Number of channel Storage	1000 channels
Fax:	12 pictures
NAVTEX:	130 messages 55 characters x 20 lines Character size: 2.6 x 5.3 mm
Scanning Speed	60, 90, 120, 180 or 240 r.p.m., automatic or manual selection
I.O.C.	576 or 288, automatic or manual selection
Display Color	Monochrome, 8 shades of gray, Blue shades, Pink and black, Red and blue
Networking Standard	Ethernet 10Base-T TCP/IP

POWER SUPPLY

12-24 VDC, 12 W

MINIMUM SYSTEM REQUIREMENTS FOR PC

OS:	Windows 98, 2000, ME, XP
CPU:	600 MHz or faster
RAM:	128 MB or more
Resolution:	1024 x 768 pixels
Browser:	Internet Explorer Ver. 5.01 SP2/ 5.5 SP2/6.0 SP1 Netscape Communicator Ver. 4.78/6.2/7.0

ENVIRONMENTAL CONDITIONS

EMC, Vibration, Climatic: Complies with IEC 60945

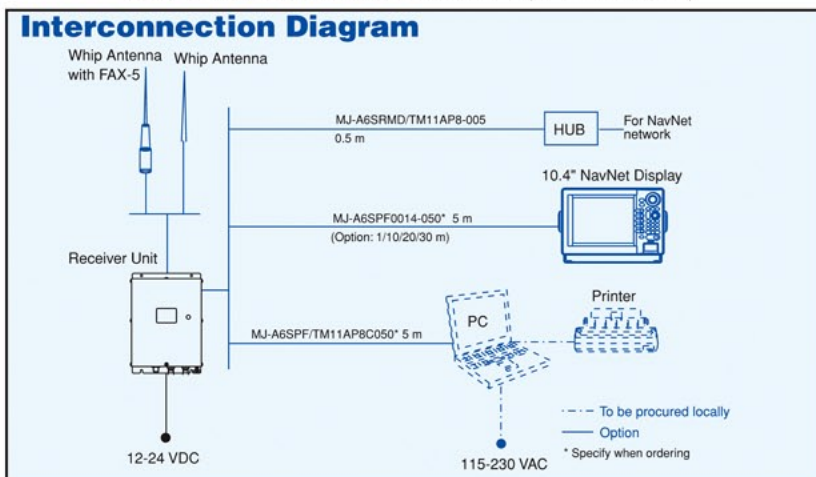
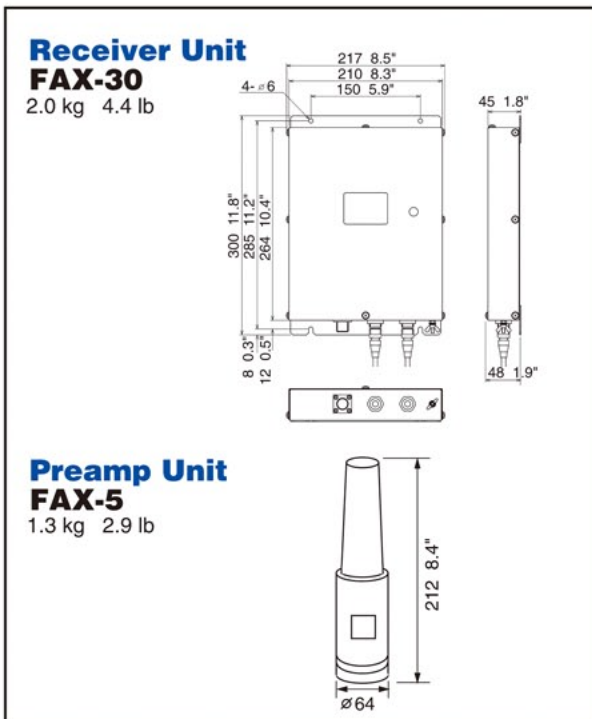
EQUIPMENT LIST

Standard

- | | |
|---|--------|
| 1. Receiver Unit FAX-30 | 1 unit |
| 2. Installation Materials and Spare Parts
(including 5 m NavNet Cable or PC Adaptor
Cable selectable) | 1 set |

Option

1. Preamp Unit FAX-5 with 15 m cable
2. Antenna Fixing Clamp
3. Whip Antenna 04S4176
4. Extension Cable OP-04-2
5. PC Adaptor Cable MJ-A6SPF/TM11AP8C050
6. HUB Adaptor Cable MJ-A6SRMD/TM11AP8-005
7. NavNet Cable MJ-A6SPF0014 (1/10/20/30 m)



SPECIFICATIONS SUBJECT TO CHANGE WITHOUT NOTICE

FURUNO U.S.A., INC.

Camas, Washington, U.S.A.
Phone: +1 360-834-9300
Fax: +1 360-834-9400

FURUNO (UK) LIMITED

Havant, Hampshire, U.K.
Phone: +44 2392-441000
Fax: +44 2392-484316

FURUNO FRANCE S.A.

Bordeaux-Mérignac, France
Phone: +33 5 56 13 48 00
Fax: +33 5 56 13 48 01

FURUNO ESPAÑA S.A.

Madrid, Spain
Phone: +34 91-725-90-88
Fax: +34 91-725-98-97

FURUNO DANMARK AS

Hvidovre, Denmark
Phone: +45 36 77 45 00
Fax: +45 36 77 45 01

FURUNO NORGE A/S

Ålesund, Norway
Phone: +47 70 102950
Fax: +47 70 102951

FURUNO SVERIGE AB

Västra Frölunda, Sweden
Phone: +46 31-7098940
Fax: +46 31-497093

FURUNO FINLAND OY

Espoo, Finland
Phone: +358 9 4355 670
Fax: +358 9 4355 6710

FURUNO POLSKA Sp. Z o.o.

Gdynia, Poland
Phone: +48 58 669 02 20
Fax: +48 58 669 02 21

FURUNO DEUTSCHLAND GmbH

Rellingen, Germany
Phone: +49 4101 838 0
Fax: +49 4101 838 111

LLC "FURUNO EURUS"

St. Petersburg, Russian Federation
Phone: +7 812 167 15 92
Fax: +7 812 766 55 52



07013SS Printed in Japan

