

FURUNO

MODEL

FCV-600 / FCV-800

MODEL

TruEcho CHIRP™ Fish Finders



FCV-600
5.7" Display



FCV-800
8.4" Display



www.furunousa.com

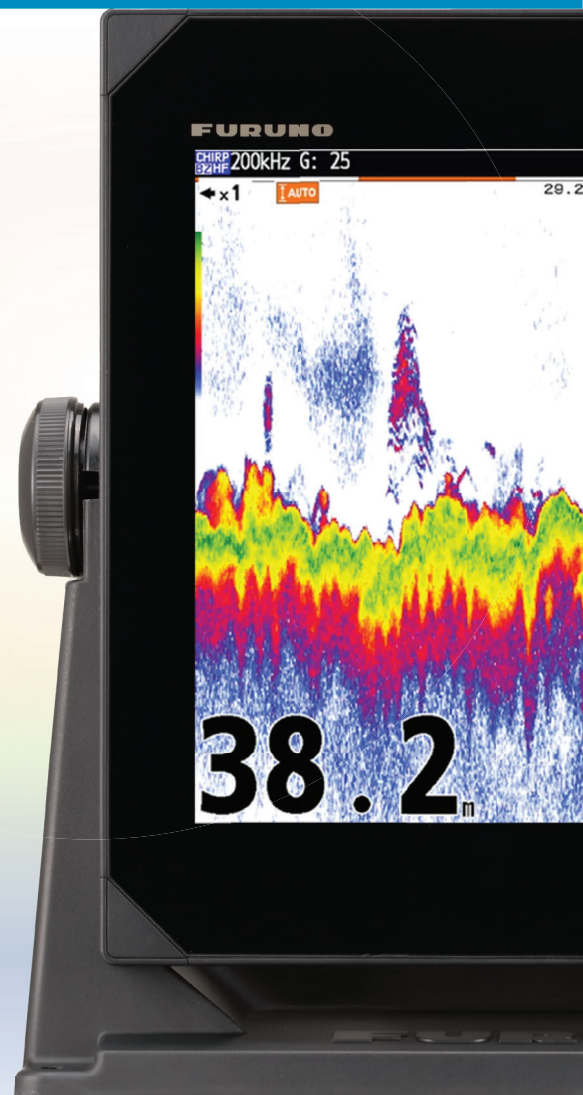
Boost your catch with TruEcho CHIRP™, combining multi-frequency features



**FISH FINDER TECHNOLOGY JUST TOOK A BIG LEAP
WITH TruEcho CHIRP™ AND COMBINED FREQUENCY FEATURES!**

NEW ENHANCED FEATURES

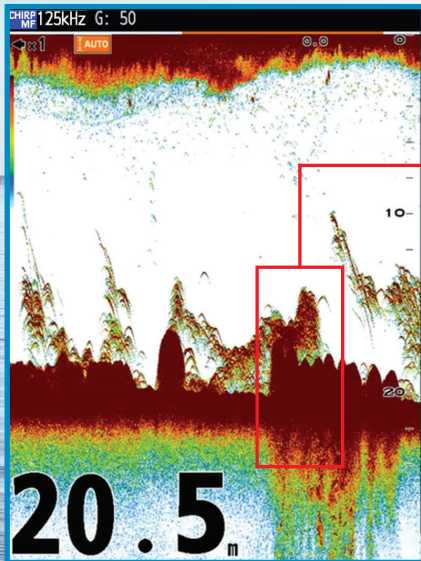
- ▶ **TruEcho CHIRP™** - Operates across a wide range of frequencies using a broadband transducer for better signal clarity & target definition
- ▶ **NEW! Combine TruEcho CHIRP™ & CW Transducers** - to see CHIRP targets, ACCU-FISH™, and Bottom Discrimination functions (FCV-800 only)
- ▶ **RezBoost™ Signal Processing** - Improved clarity & resolution for conventional CW transducers
- ▶ **ACCU-FISH™** - A unique fish size and depth assessment function
- ▶ **Bottom Discrimination** - Provides recognition of bottom composition with 4 types of graphic displays (Rock/Sand/Gravel/Mud)
- ▶ **NEW! Bottom Hardness Output** - for external plotters such as TZ Professional and Olex
- ▶ **NEW! Color Expansion** - Expands echo colors to easily identify fish from seabed
- ▶ **White Line Feature** - Finds fish lying near the bottom by displaying the top edge of the bottom in white to clearly show bottom structure
- ▶ **Post Processing Gain** - Adjust gain setting to screen history
- ▶ **Configurable Alarm Function** - Depth, Fish echo, Speed, Arrival, etc.
- ▶ **TLL (Target Lat/Lon) Output** - Interface with your Furuno Chart Plotter to mark fishing ground with various information such as Depth, Water Temp, Fish Size, and Bottom Type (Requires a Chart Plotter)
- ▶ **Fast Transmission Rate** - 3,000 PRR (Pulse Repetition Rate) per minute
- ▶ **NEW! Colors** - Sunlight and Yellow color palettes
- ▶ **NEW! Wireless Connectivity** - Allows secondary display capability



Furuno's revolutionary broadband, utilizing multiple transducers!

COLOR EXPANSION

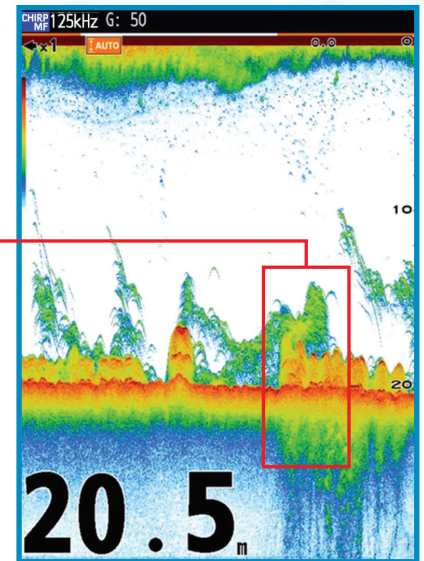
Color Expand Off



With the conventional color ranges, echoes from the seabed and a large fish are shown in a similar color, making it challenging to distinguish large fish from the bottom.

With Color Range Expansion, the range of identifiable echoes is expanded so you can intuitively identify bottom fish from the seabed. Reefs, structure, and fish near the seabed are shown in slightly separated colors, making it easy to tell structure from fish at a glance.

Color Expand On



TruEcho CHIRP™

Traditional CW (Continuous Wave) Fish Finders transmit a signal composed of a single frequency, while CHIRP Fish Finders transmit a linear frequency-modulated signal - a wave with a frequency that increases over time. The FCV-600 and FCV-800 can utilize a broadband transducer to transmit across a spectrum of frequencies, resulting in better target resolution. With Furuno's TruEcho CHIRP™, you'll see greater detail and target separation for baitfish, game fish, and structure.



BOTTOM DISCRIMINATION

The Bottom Discrimination function enables the Fish Finder to indicate whether the bottom is composed mainly of rocks, gravel, sand, or mud, providing you with valuable information that helps locate rich fishing grounds and boost your catch of the day. The standard graphic display mode shows the most probable bottom composition by graphic or four colors, while the probability display mode shows the most probable bottom composition in graph form.

(Please read the operator's manual carefully before using this feature.)

Probability Mode:

- Rocks
- Sand
- Mud
- Gravel

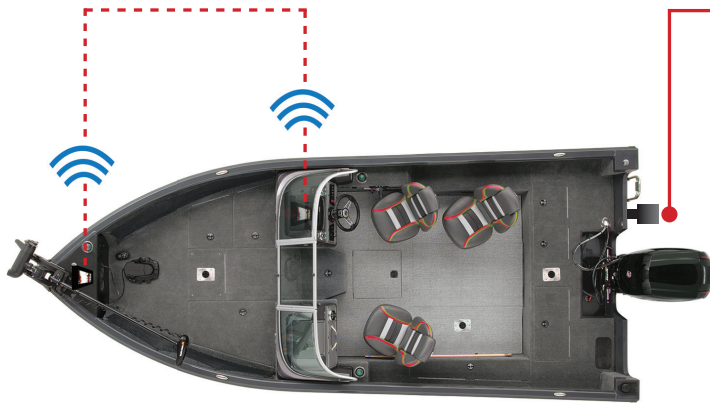
Graphic Mode:

- Rocks
- Sand
- Mud
- Gravel

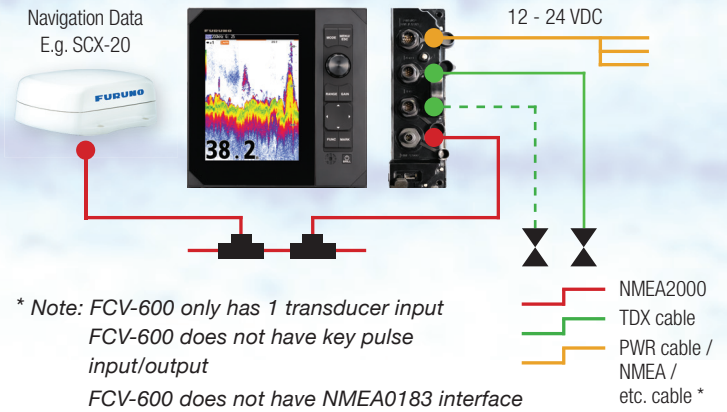


WIRELESS CONNECTIVITY

A second display can be installed to show the echoes and nav data from the FCV-600 and FCV-800 via wireless network, so you can monitor the underwater situation from the stern or bow while fishing.



INTERCONNECTION DIAGRAM



TRANSDUCERS

Specify when ordering - 1kW available only for FCV-800

CW Types

520-5PSD/MSD, 525-5PWD, 525STID-PWD, 525STID-MSD, 520-PLD, 525T-PWD, 525T-BSD, 525T-LTD/12, 525T-LTD/20, SS60-SLTD/12, SS60-SLTD/20, 200B-5S, 50B-6/6B, 50/200-IT, 526TID-HDD

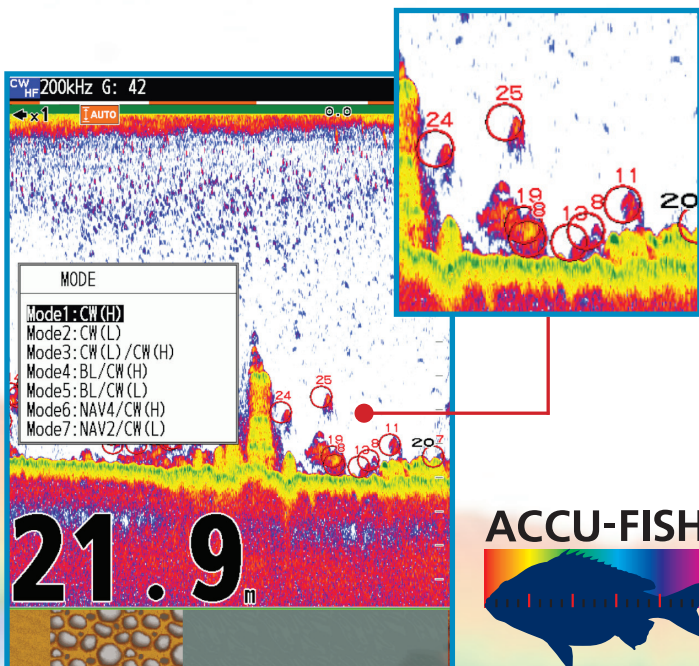
CHIRP Types

B150M, TM150M, B75L, SS75L, B75M, SS75M, B785M, B75H, SS75H, TM-165HW, B175L, B175M, TM185M, B285M, B175H, B175HW, TM185HW, B285HW, B265LH, TM265LH, CM265LH, B265LM, TM265LM, CM2265LM, B275LHW, TM275LHW, CM275LHW

ACCU-FISH™

ACCU-FISH™ size assessment function identifies individual fish instantaneously, a technology that is proprietary to Furuno. To assess individual fish size, echo returns are evaluated based on strength and turned into fish size display (10 to 199 cm, in depths of 2 to 100 m) on the screen.

(In some instances, fish size indicated may differ from actual size. Please read operator's manual carefully before using this feature.)



REZBOOST™

RezBoost™ is a revolutionary signal processing technology developed by Furuno that improves resolution and target separation using conventional CW narrowband transducers. Spot individual game fish surrounding bait balls and fish close to the seabed. With RezBoost™, you can expect higher resolution and crisper visuals and improvements in the ACCU-FISH™ function.

RezBoost™ can dramatically improve the capabilities of conventional narrowband transducers. Compared to conventional signal processing techniques (FDF), a RezBoost™ Fish Finder produces an image up to 8 times* clearer. What can be done with a conventional narrowband transducer, just like the one you might have installed on your vessel, is truly impressive.**

*RezBoost™ performance may vary depending on depth, range, and signal frequency used.

** The Enhanced mode of RezBoost™ capable thru-hull or transom mount transducer.



GENERAL

CW Frequency 50/200 kHz
 CHIRP Frequency 40 to 225 kHz

DISPLAY

FCV-600 5.7" (640x480 VGA - 1,000 cd/m²)
 FCV-800 8.4" (800x600 SVGA - 800 cd/m²)
 Display Single Frequency, Dual-Frequency, Zoom, Nav Data, A-Scope, Marker Zoom, Bottom-Lock, Bottom Discrimination, Color Expand, ACCU-FISH™, RezBoost™

Language English, French, Spanish, German, Italian, Portuguese, Greek, Polish, Danish, Swedish, Norwegian, Finnish, Chinese, Japanese, Thai, Vietnamese, Indonesian, Myanmar (Burmese)

Basic Range 2 - 1,200 m*

*m, ft, fm, HR, pb can be selected in the menu

Alarm Bottom, Fish (Normal), ACCU-FISH™, Fish (B/L), Bottom Discrimination, Fish Level, Temperature, Speed, Arrival, and Battery

Range Phasing Up to 1,200 m

Expansion Range Bottom-Lock Expansion; 2 - 10 m

Sectional Expansion: 2 - 1,200 m

Picture Advance Speed 8 steps: stop, 1/16, 1/8, 1/4, 1/2, 1, 2, 4

Pulse Length & PRR 0.04 to 3.0 ms, Max 3,000 pulse/min

Interface (IEC61162-1, NMEA0183 Ver 1.0/2.0/3.0, NMEA2000)

NMEA0183 Sentences (FCV-800 only)

Input: BWC, GGA, GLL, GNS, HDG, HDT, MDA, MTW, MWV, RMA, RMB, RMC, THS, VHW, VTG, XTE, ZDA

Output: DBS, DBT, DPT, MTW*, RMB*, VHW*, TLL* by key operation

*External data required

NMEA2000 Sentences

Input: 059392, 059904, 060160, 060416, 060928, 061184, 065240, 065280, 126208, 126720, 126996, 127250, 127252, 127257, 128259, 129025, 129026, 129029, 129283, 129284, 130306, 130310, 130311, 130312, 130314, 130316, 130577, 130821

Output: 059392, 059904, 060928, 061184, 126208, 126464, 126720, 126993, 126996, 126998, 128259, 128267, 130310, 130312, 130316, 130821, 130822, 130830, 130831, 130832

ENVIRONMENT

Temperature -15°C to +55°C
 Waterproofing IP56

POWER SUPPLY

FCV-600 12-24 VDC: 1.0 - 0.6 A
 FCV-800 12-24 VDC: 1.6 - 0.8 A

EQUIPMENT LIST

Standard

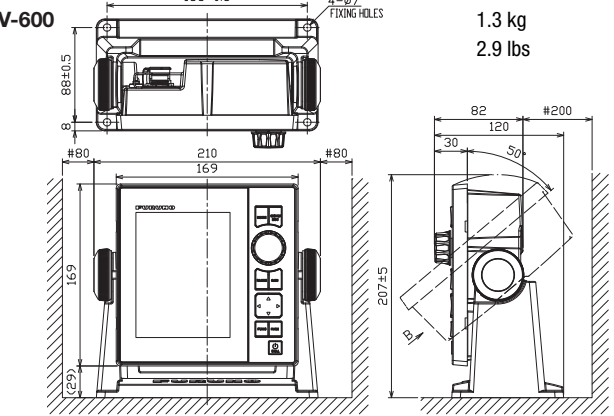
1. Display Unit With Bracket
2. Installation Materials and Standard Spare Parts

Option

1. Transducer: Specify When Ordering
2. Speed/Temperature Sensor: ST-02MSB, ST-02PSB, T-04MSB, T-04MTB
3. Connector Kit for Connection of Speed & Temperature Sensor or Temperature Sensor
4. NMEA + Power Cable
5. Flush Mount Kit: OP02-89 - FCV-600 / OP02-88 - FCV-800
6. Adapter Cable for FCV-800 - 1kW Dual-band CHIRP Transducer FRU-MJ10CCB12-300

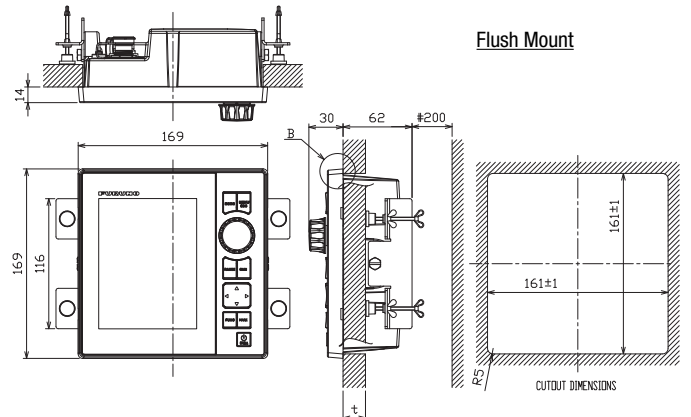
DISPLAY UNIT

FCV-600



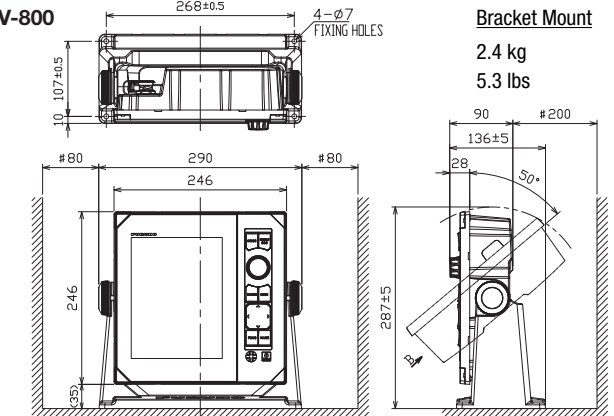
Bracket Mount

1.3 kg
 2.9 lbs



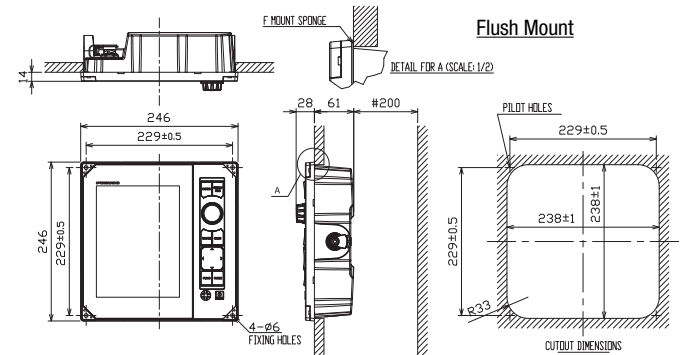
Flush Mount

FCV-800



Bracket Mount

2.4 kg
 5.3 lbs



Flush Mount

Catalog No. CA000002024

FURUNO ELECTRIC CO., LTD.

Japan www.furuno.com
 U.S.A. www.furunousa.com
 U.K. www.furuno.co.uk
 Norway www.furuno.no

FURUNO DANMARK A/S

Denmark www.furuno.dk
 Sweden www.furuno.se
 Finland www.furuno.fi
 Poland www.furuno.pl
 Germany www.furuno.de

FURUNO FRANCE S.A.S.

France www.furuno.fr
 Spain www.furuno.es
 Italy www.furuno.it
 Greece www.furuno.gr
 Cyprus www.furuno.com.cy

FURUNO SHANGHAI CO., LTD.

China www.furuno.com/cn
 Hong Kong www.furuno.com/cn
 Korea
 Singapore www.furuno.sg
 Indonesia www.furuno.id

FURUNO ELECTRIC (MALAYSIA) SDN. BHD.

Malaysia www.furuno.com/my
BEWARE OF SIMILAR PRODUCTS
 All brand and product names are trademarks, registered trademarks, or service marks for their respective holders.
SPECIFICATIONS SUBJECT TO CHANGE WITHOUT NOTICE
 Printed in U.S.A.