

FURUNO®

High-performance 30 Watts output power with an intercom function

LOUD HAILER

Model **LH-3000**



- Hail, Intercom, Alarm functions available
- Built-in high quality speaker
- 30 Watts of output power
- Eight automatic warning signals
- Up to four intercoms are connectable for two-way communication between master and specific remote or all remote stations
- Auxiliary audio input



The future today with FURUNO's electronics technology.

FURUNO ELECTRIC CO., LTD.

9-52 Ashihara-cho, Nishinomiya City, Japan Phone: +81 (0)798 65-2111
Fax: +81 (0)798 65-4200, 66-4622 URL: www.furuno.co.jp

Catalogue No. M-1534b

TRADE MARK REGISTERED
MARCA REGISTRADA

FURUNO's LH-3000 is a high-performance 30 watts loud hailer with an intercom function. The LH-3000 is designed for a wide variety of ships, requiring high quality onboard and ship-to-ship communications under almost any circumstance. Solidly built and waterproof, the LH-3000 contains a high quality built-in speaker and a microphone. On its front panel, there are easy-to-see states indicators. By generating voice or eight internationally acknowledged warning signals from the horns, the LH-3000 notifies nearby vessels of your presence and status regardless of visibility conditions.

The LH-3000 can also function as an intercom, when connected to optional intercom speakers. Up to four intercoms can be connected for two-way communication between the bridge and one or all intercom stations. The LH-3000 can be connected to various equipment to enable useful functions. When connected to an external alarm unit, the LH-3000 can function as a security alarm. Furthermore, an auxiliary audio input allows transmission of music or other external audio signals (from CD player, radio and etc.) to the intercom speakers and external horns.

SPECIFICATIONS OF LH-3000

Output Power

Hailer:	30 W
Intercom:	4.5 W
External Speaker:	4.5 W
Internal Speaker:	2.5 W

Input

Microphone Impedance:	600 Ω
Auxiliary Impedance:	10 kΩ
Microphone Sensitivity:	-73 dB ± 3 dB (0dB=1V/uBar)
Auxiliary Sensitivity:	0 dB ±3 dB (1 kHz)

Frequency Response

Hail Mode:	100 Hz - 8 kHz at 3 dB
Intercom Mode:	100 Hz - 8 kHz at 3 dB
AUX Mode:	100 Hz - 8 kHz at 3 dB

Horn Frequency

520 Hz ±50 Hz

Distortion Factor

Hail Mode:	10% (1 kHz 30 W)
Intercom Mode:	10% (1 kHz 4.5 W)

Signal to Noise

Hail Mode:	60 dB (1 kHz)
Intercom Mode:	60 dB (1 kHz)
AUX Mode:	60 dB (1 kHz)

Output Impedance

Hail Speaker:	8 Ω
Intercom Speaker:	4 Ω
External Speaker:	4 Ω

POWER SUPPLY

12 VDC, 5 A, 280 mA (Standby)

ENVIRONMENTAL

Temperature:	-15 °C to + 55 °C (IEC 60945)
Waterproofing (Face of panel):	IPX5 (IEC 60529), CFR 46 (USCG)

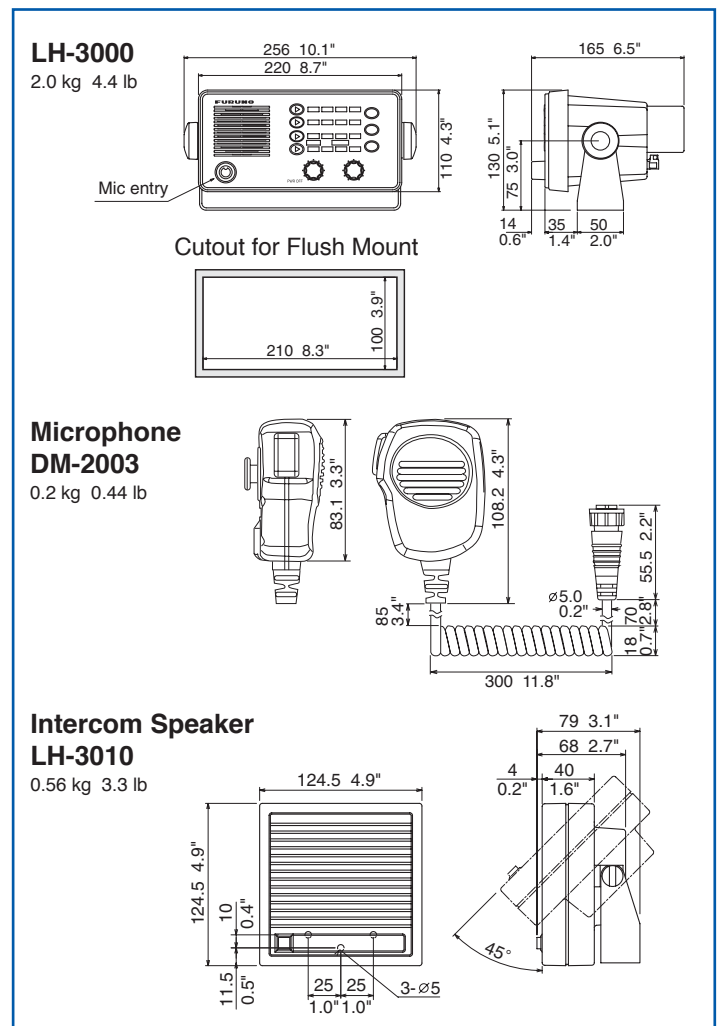
EQUIPMENT LIST

Standard

1. Loud Hailer LH-3000	1 unit
2. Microphone DM-2003	1 unit
3. Installation Materials and Spare Parts	1 set

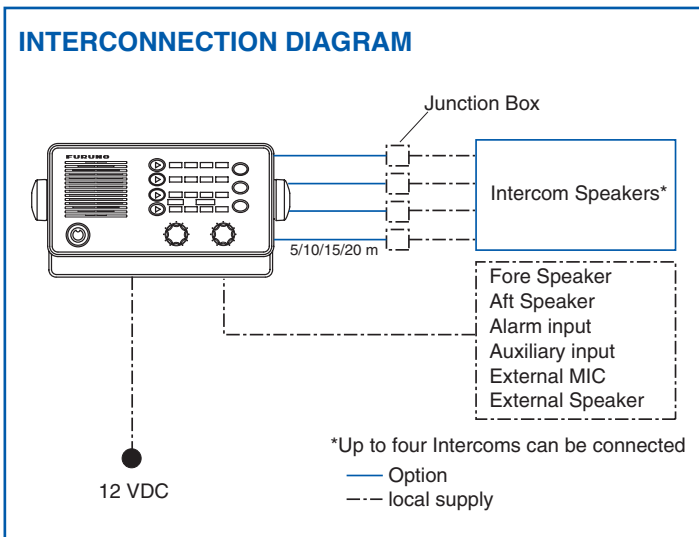
Option

1. Intercom Speaker LH-3010
2. Flush Mount Kit LH-3020
3. Cable for Intercom Speaker 5/10/15/20 m



SPECIFICATIONS SUBJECT TO CHANGE WITHOUT NOTICE

INTERCONNECTION DIAGRAM



FURUNO U.S.A., INC.
Camas, Washington, U.S.A.
Phone: +1 360-834-9300
Fax: +1 360-834-9400

FURUNO (UK) LIMITED
Denmead, Hampshire, U.K.
Phone: +44 2392-230303
Fax: +44 2392-230101

FURUNO FRANCE S.A.
Bordeaux-Mérignac, France
Phone: +33 5 56 13 48 00
Fax: +33 5 56 13 48 01

FURUNO ESPAÑA S.A.
Madrid, Spain
Phone: +34 91-725-90-88
Fax: +34 91-725-98-97

FURUNO DANMARK AS
Hvidovre, Denmark
Phone: +45 36 77 45 00
Fax: +45 36 77 45 01

FURUNO NORGE A/S
Ålesund, Norway
Phone: +47 70 102950
Fax: +47 70 127021

FURUNO SVERIGE AB
Västra Frölunda, Sweden
Phone: +46 31-7098940
Fax: +46 31-497093

FURUNO FINLAND OY
Espoo, Finland
Phone: +358 9 4355 670
Fax: +358 9 4355 6710

FURUNO POLSKA Sp. z o.o.
Gdynia, Poland
Phone: +48 58 669 02 20
Fax: +48 58 669 02 21

04125Y Printed in Japan