

NAVTEX

NAVTEX Receiver

Model: NX-900





NAVTEX receiver
Model: NX-900

The Furuno NX-900 NAVTEX receiver automatically receives, displays, prints (via an optional printer) and sends data to navigation equipment such as ECDIS, the maritime safety information(MSI) composed of Navigational warning, Meteorological warning, and Search and Rescue (SAR) information, etc., broadcast from coastal stations in the MF and HF bands.

► Full compliance with IMO Resolutions and IEC Testing Standards

IMO Resolutions	IEC Testing Standards
A.694(17)	61097-6 Ed.2.0
MSC.36(63)	60945 Ed.3.0/Ed.4.0
MSC.97(73)	61162-1 Ed.5.0
MSC.148(77)	61162-450 E.2.0
MSC.302(87)	62923-1/-2 Ed.1.0
MSC.430(98)	62288 Ed.3.0
MSC.508(105)	

► Improved capabilities thanks to additional interfaces.

Now features 2 IN/OUT serial ports as well as a LAN port.

► Highly demanded self-test function for maintenance and inspection.

► Prevention function for important messages

If a SAR message (Search and Rescue information) is received: Regardless of the alarm setting, it will sound an alarm and immediately display the content after receiving it.

► Improved visibility and operability thanks to a complete redesign of the UI.

The adoption of a 5.7-inch color LCD enhances visibility and operability with a wide viewing angle.

The casing design has also been completely revamped, so that it blends in harmoniously with other Furuno equipment.



reater visibility and operability, safe navigation.



■ A simpler, more user-friendly UI to ensure that all the important messages are clearly highlighted.

[Message list]

No.	MSG	Time/Date	Category	Time/Date
020	DE01	00:18 JAN/01		01:01:57
019	PD00	00:18 JAN/01	SAR	JAN/01/2022
018	JB72	00:17 JAN/01	MET	
017	JA63	00:16 JAN/01	NAV	
016	JA74	00:15 JAN/01	NAV	
015	JA79	00:15 JAN/01	NAV	
014	JA80	00:14 JAN/01	NAV	
013	JA92	00:13 JAN/01	NAV	
012	JA97	00:12 JAN/01	NAV	
011	JA99	00:12 JAN/01	NAV	
010	JZ63	00:11 JAN/01		
009	JB71	00:11 JAN/01	MET	
008	PA37	00:10 JAN/01	NAV	
007	PA36	00:10 JAN/01	NAV	
006	PA32	00:09 JAN/01	NAV	
005	EL72	00:08 JAN/01	NAV	

COG: 056.8°
STW: ---. -kn
Position: 12° 34. 371' N, 123° 45. 371' E
Distance: ---. -NM

All received messages are displayed in a list.

The icons allow you to quickly and easily distinguish between read and unread messages and message categories.

☐ : Unread message icon

☐	003	1B649	09:
☐	002	1E122	09:
☐	001	1A321	09:

Message type

[SAR] (Search and Rescue Information)
[NAV] (Navigation warning)
[MET] (Meteorological warning)

Selecting message category to display

- ▶ All Messages
- ▶ Alert Messages (SAR/WARNING)
- ▶ User Selected Messages
- ▶ Error rate 4% or less Messages

The date and time, location information, ship speed, and heading are displayed on the right side of the screen.

*Position information required

[Details of the message]

MESSAGE	INT	L1	L2	INT	L1	L2
518kHz	MA81	NAV	00:32	JAN/01	Error:0.0%	027/030
ZCZC	MA81					
010834	UTC	JUL =				01:03:02
NAVAREA	ONE	242				JAN/01/2022
EUROPE EUROPEAN UNION (EU) IN ACCORDANCE WITH THE EU REGULATIONS ENHANCING SHIP AND PORT SECURITY, ALL VESSELS THAT ARE REQUIRED TO COMPLY WITH THE PROVISIONS OF THE INTERNATIONAL SHIP AND PORT SECURITY (ISPS) CODE AND ARE INTENDING TO ENTER AN EU PORT, MUST GIVE 24 HOURS PRE-ARRIVAL NOTIFICATION TO THE APPROPRIATE SHORE BASED AUTHORITY OF THAT PORT. CANCEL 241/04. (GA45) (EA14) (OA09) (MA80). +NNNN						
COG: 056.1°						
STW: ---. -kn						
Position: 12° 34. 378' N, 123° 45. 378' E						
Distance: ---. -NM						
! 3122 SAR RX C 3						

Displays the content of the message selected in the message list.

[Alert list]

ALERT	INT	L1	L2	INT	L1	L2
Active Alerts						
!	3122	SAR	RX	00:00	JAN/01/2022	
!	3123-2	MET	RX	00:07	JAN/01/2022	
!	3123-1	NAV	RX	00:01	JAN/01/2022	
Alert Detail: Incoming SAR information. Check NAVTEX						
! 3122 SAR RX C 3						

In the alert list, you can display alerts in order of priority at the time of confirmation.

Optional Unit



Printer

Model: PP-900

Due to the external printer, a printer can be equipped separately from the receiver.

The equipment can be tailored to fit the bridge.



Junction Box

Model: IF-900

Serial OUT: 2→3 port

It becomes easy to relay connect to shipboard wiring.

It also has a power supply function for the printer.

SPECIFICATIONS

Product name	NAVTEX RECEIVER
Model	NX-900
Receiving Frequency	518 kHz, 490 kHz, 4209.5 kHz Receiving three frequencies simultaneously
Class of emission	F1B
Sensitivity	-107 dBm input, error rate: 4% or less
Screen type	5.7-inch color TFT LCD
Resolution	640 × 480 dots (VGA)
Language	English
Message capacity	500 characters with 200 messages x 3 channels
Alert category	Navigational warning, Meteorological warning Search and rescue information, Printer error

INTERFACE

Number of ports	
Serial	2ports, IEC61162-1 Ed. 5, 4800 bps
LAN	1port, Ethernet, 100base-TX Auto MDI/MDIX, IEC61162-450 Ed.2
RS-232C	1port for printer
Contact closure	1port for alert

POWER SUPPLY

Power supply voltage	12-24 VDC
Current consumption	0.7-0.35 A (main unit only) 2.0-1.1 A (option:with junction box and printer)

ENVIRONMENTAL CONDITION

Ambient temperature	Main unit -20~+55°C Antenna unit -25~+55°C Junction box, printer -15~+55°C
Relative humidity	93% or less at +40°C
Degree of protection	Main unit, Junction box, printer IP20 Antenna unit IP56
Vibration	IEC60945 Ed.4

Printer(PP-900:option)

Printing system	Direct line thermal
Printing paper	Thermal paper
Printing width	48 mm
Number of characters	32characters/line

Junction box(IF-900:option)

Number of ports	
Serial	IN 2ports OUT 3ports
Contact closure	1port

EQUIPMENT LIST

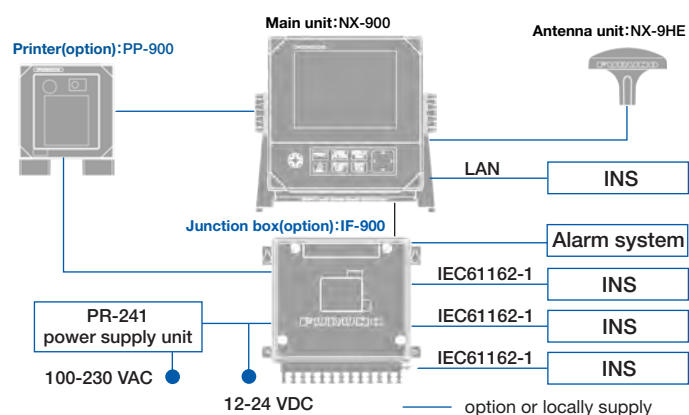
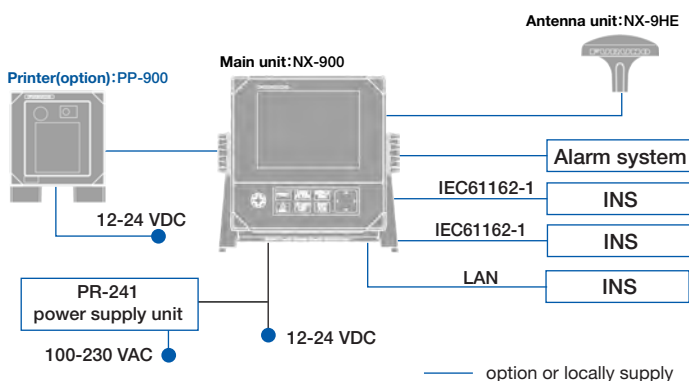
Standard

Main unit	NX-900	× 1
Antenna unit	NX-9HE	× 1
Installation materials, Accessories, Spare parts			

Option

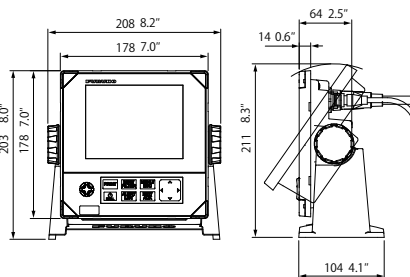
Junction box	IF-900
Printer	PP-900
Thermal paper	TP058-30CL
Flush mount panel	OP08-22
AC-DC power supply unit	PR-241
Mast mounting bracket	CP20-01111
Coaxial cable	
Cable assembly	

INTERCONNECTION DIAGRAM



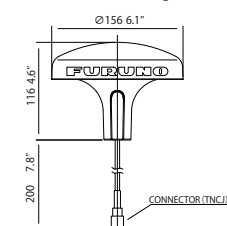
Main unit

NX-900 1.2 kg 2.6 lb



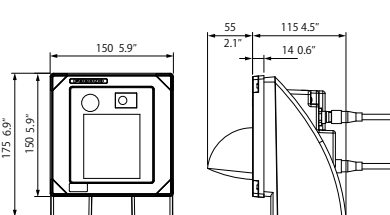
Antenna unit

NX-9HE 0.48 kg 1.0 lb



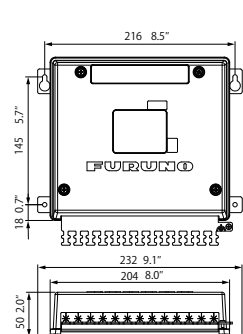
Printer (option)

PP-900 0.76 kg 1.7 lb



Junction box (option)

IF-900 0.84 kg 1.9 lb



Beware of similar products

All brand and product names are registered trademarks, trademarks or service marks of their respective holders.

SPECIFICATIONS SUBJECT TO CHANGE WITHOUT NOTICE

FURUNO ELECTRIC CO., LTD.
Japan | www.furuno.com

FURUNO U.S.A., INC.
U.S.A. | www.furunousa.com

FURUNO PANAMA S.A.
Republic of Panama | www.furuno.com.pa

FURUNO (UK) LIMITED
U.K. | www.furuno.co.uk

FURUNO NORGE A/S
Norway | www.furuno.no

FURUNO DANMARK A/S
Denmark | www.furuno.dk

FURUNO SVERIGE AB
Sweden | www.furuno.se

FURUNO FINLAND OY
Finland | www.furuno.fi

FURUNO POLSKA Sp. Z o.o.
Poland | www.furuno.pl

FURUNO DEUTSCHLAND GmbH
Germany | www.furuno.de

FURUNO FRANCE S.A.S.
France | www.furuno.fr

FURUNO ESPAÑA S.A.
Spain | www.furuno.es

FURUNO ITALIA S.R.L.
Italy | www.furuno.it

FURUNO HELLAS S.A.
Greece | www.furuno.gr

FURUNO (CYPRUS) LTD
Cyprus | www.furuno.com.cy

FURUNO SHANGHAI CO., LTD.
China | www.furuno.com/cn

FURUNO CHINA CO., LTD.
Hong Kong | www.furuno.com/cn

FURUNO KOREA CO., LTD
Korea

FURUNO SINGAPORE
Singapore | www.furuno.sg

PT FURUNO ELECTRIC INDONESIA
Indonesia | www.furuno.id

FURUNO ELECTRIC (MALAYSIA) SND. BHD.

Malaysia | www.furuno.my