



Mobile Earth Station

Model: FELCOM18/19



MES

INMARSAT Mobile Earth Station

**Proven solutions for Inm
fully incorporated SSAS**



Features of FELCOM18

Inmarsat-C Ship Earth Station terminal for GMDSS application

Full GMDSS compliance with optional printer and AC/DC power supply

SSAS capability with SSAS Alert Units

Compatibility with LRIT application

Compatible with the following standard:

IMO A.570(14), IMO A.664(16), IMO A.694(17), IMO A.807(19), IMO MSC.147(77), IMO MSC.36(63), IMO MSC.68(68) Annex 4, IMO MSC.97(73), IMO MSC.263.(84), MSC/Circ.862, IEC 60945 Ed. 4, IEC 61097-4 Ed. 2, IEC 61162-1 Ed. 4

A wide variety of communication schemes available: telex, FAX, emailing, EGC, Data reporting/polling, etc.

SD card for recording media

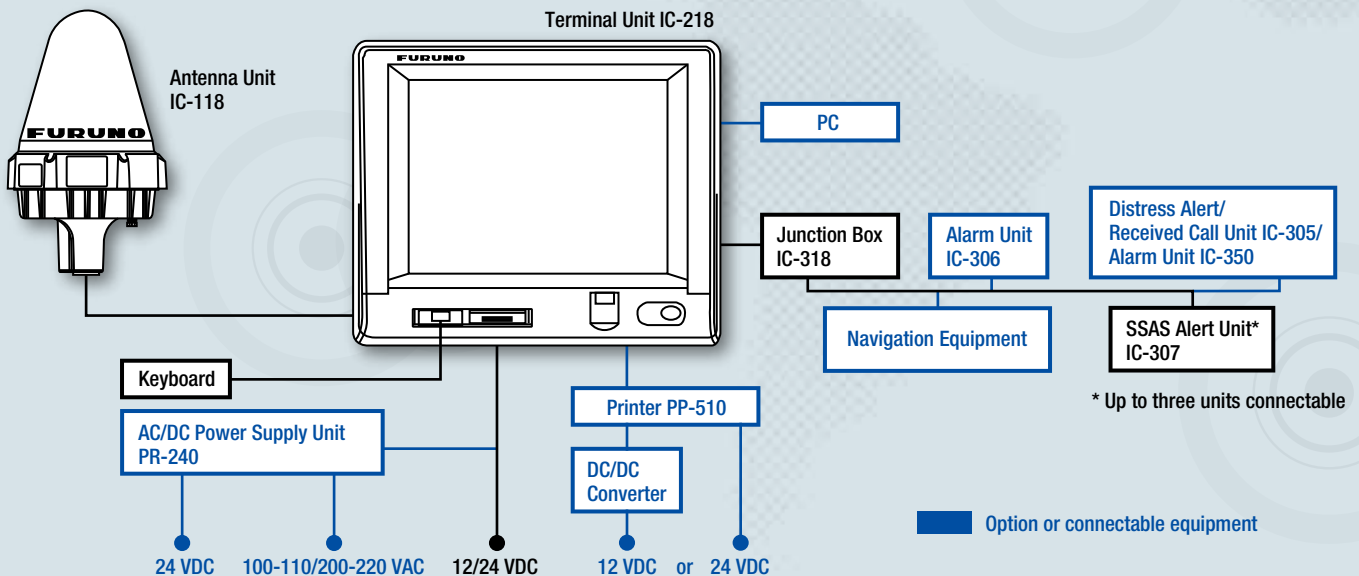
GPS receiver (option)

Compatible with:



Model: FELCOM18

Interconnection Diagram



Inmarsat-C/Inmarsat MINI-C services and LRIT capabilities



Compatible with:

LRIT
Long-Range Identification and Tracking of ships

SSAS
Ship Security Alert System

Features of FELCOM19

Inmarsat MINI-C Mobile Earth Station terminal

Compatibility with LRIT application

SSAS capability with SSAS Alert Units

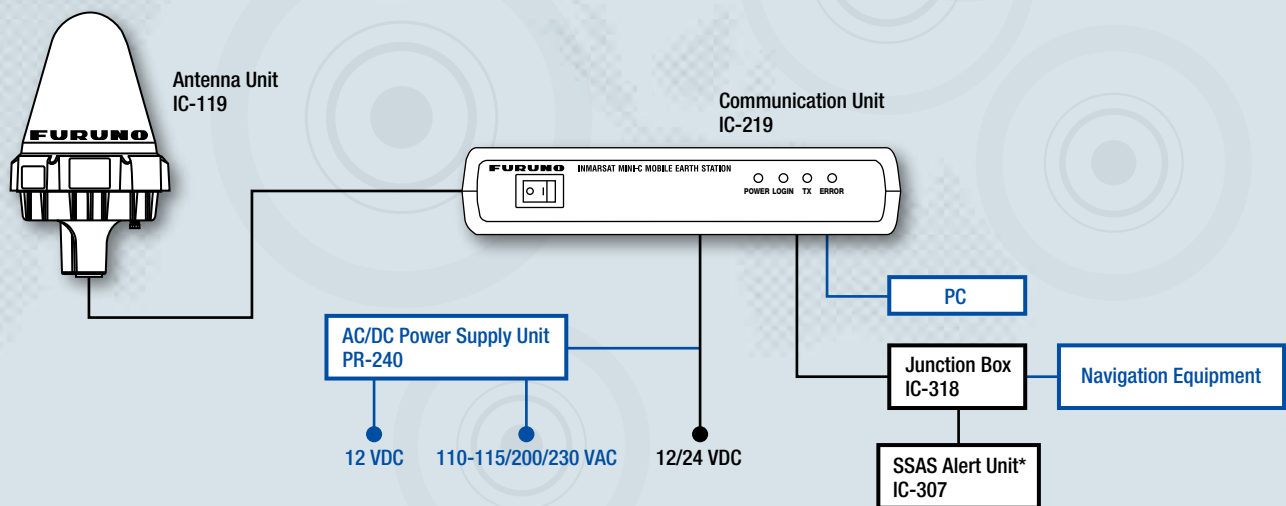
A wide variety of communication schemes available:
telex, FAX, emailing, EGC (non-GMDSS), Data reporting/polling, etc.

GPS receiver incorporated

Black-box configuration allows flexible installation

Model: FELCOM19

Interconnection Diagram



Option or connectable equipment

* Up to three units connectable

SPECIFICATIONS

Product Name	Inmarsat-C Mobile Earth Station FELCOM18	Inmarsat MINI-C Mobile Earth Station FELCOM19
Frequency	TX: 1626.5-1646.5 MHz RX: 1537.0-1544.2 MHz	
Channel Spacing	5 kHz	
Modulation Rate and format	TX: 600, 1200 sps Unfiltered BPSK RX: 1200 sps Unfiltered BPSK	
Minimum G/T	-23.0 dB/K (at elv. 5°)	-23.7 dB/K (at elv. 5°)
Output Power	12-16 dBW (at elv. 5°)	7-16 dBW (at elv. 5°)
Power Supply	12-24 VDC	
	TX: less than 130 W RX: less than 60 W	less than 50 W less than 10 W

EQUIPMENT LIST

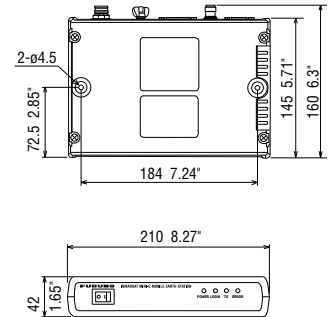
Standard	1 Antenna Unit with 30 m cable IC-118 1 unit	1 Antenna Unit with 30 m cable IC-119 1 unit
	2 Terminal Unit with keyboard IC-218 1 unit	2 Communication Unit IC-219 1 unit
	3 Junction Box IC-318 1 unit	3 Junction Box IC-318* 1 unit
	4 SSAS Alert Unit IC-307* 2 unit	4 SSAS Alert Unit IC-307* 2 unit
	5 Installation materials *applicable only for SSAS specification	5 Installation materials *applicable only for SSAS specification
Option	1 Distress Alert/Received Call Unit IC-305 2 Alarm Unit IC-306 3 AC/DC Power Supply Unit PR-240 4 GPS Board Kit 5 SSAS Alert Unit IC-307** 6 Printer PP-520 **applicable only for non-SSAS specification	1 AC/DC Power Supply Unit PR-240 2 SSAS Alert Unit IC-307** 3 Junction Box IC-318** 4 Printer PP-520 **applicable only for non-SSAS specification

ENVIRONMENT

Temperature	Antenna Unit BDE	-35 to +55°C (Storage: +70°C) -15 to +55°C
Relative Humidity		40°C 95%
Degree of protection	Antenna Unit Terminal Unit Printer/Keyboard Others	IP56 IP22 IPX0 IP22 (bulkhead mount)
Vibration		IEC 60945 Ed.4

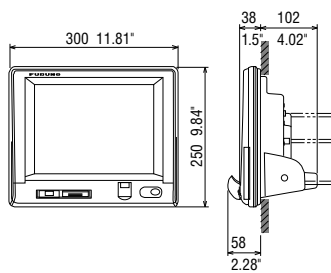
Communication Unit

IC-219
1.2 kg 2.65 lb



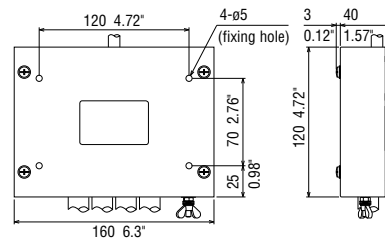
Terminal Unit

IC-218
4.2 kg 9.26 lb



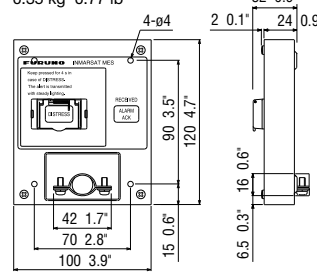
Junction Box

IC-318
weight: TBC



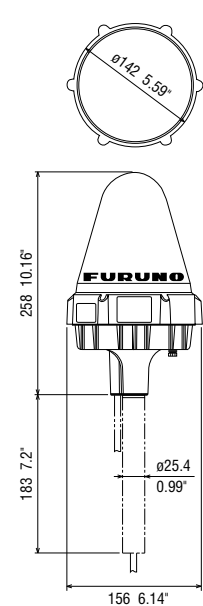
Distress Alert/Received Call Unit

IC-305
0.35 kg 0.77 lb



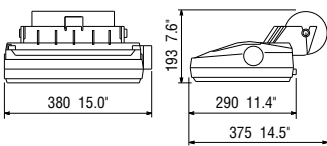
Antenna Unit

IC-118/IC-119
1.4 kg 3.09 lb



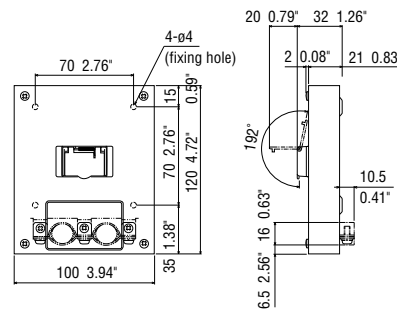
Printer

PP-520
4.8 kg 10.6 lb



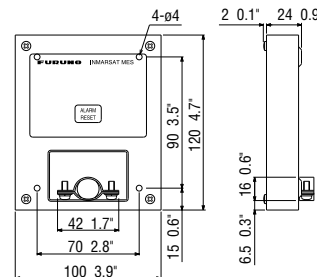
SSAS Alert Unit

IC-307
0.35 kg 0.77 lb



Alarm Unit

IC-306
0.33 kg 0.7 lb



Beware of similar products

All brand and product names are registered trademarks, trademarks or service marks of their respective holders.

SPECIFICATIONS SUBJECT TO CHANGE WITHOUT NOTICE

FURUNO ELECTRIC CO., LTD.
Japan | www.furuno.com
FURUNO U.S.A., INC.
U.S.A. | www.furunousa.com
FURUNO PANAMA S.A.
Republic of Panama | www.furuno.com.pa
FURUNO (UK) LIMITED
U.K. | www.furuno.co.uk
FURUNO NORGE A/S
Norway | www.furuno.no

FURUNO DANMARK A/S
Denmark | www.furuno.dk
FURUNO SVERIGE AB
Sweden | www.furuno.se
FURUNO FINLAND OY
Finland | www.furuno.fi
FURUNO POLSKA Sp. Z o.o.
Poland | www.furuno.pl
FURUNO DEUTSCHLAND GmbH
Germany | www.furuno.de

FURUNO FRANCE S.A.S.
France | www.furuno.fr
FURUNO ESPAÑA S.A.
Spain | www.furuno.es
FURUNO ITALIA S.R.L.
Italy | www.furuno.it
FURUNO HELLAS S.A.
Greece | www.furuno.gr
FURUNO (CYPRUS) LTD
Cyprus | www.furuno.com.cy

FURUNO EURUS LLC
Russian Federation | www.furuno.ru
FURUNO SHANGHAI CO., LTD.
China | www.furuno.com/cn
FURUNO CHINA CO., LTD.
Hong Kong | www.furuno.com/cn
FURUNO KOREA CO., LTD
Korea
FURUNO SINGAPORE
Singapore | www.furuno.sg

PT FURUNO ELECTRIC INDONESIA
Indonesia | www.furuno.id

2-C-18061SK
Catalogue No. CA00001210